



# Selection Guide of WR-7UHA



Standard model is angle 120 °.

You can choose 90°~360° angle types on request.

Subject		Specification
Basic Characteristics	Dimension/Mass	W61mm×D32mm×H61mm / 270g approx.
	Effective Elect. Travel	90~360°
	Absolute Linearity	±0.4~0.8%FS
	Input Voltage	DC 5±0.5V
	Output type	Voltage Ratio
Electrical	Output Range	5~95%Vin
	Resolution	12bit equivalent
	Current Consumption	10mA max.
	Temp. Characteristics -30~80°C(25°Cstd.)	±0.3~0.4%FS
Environmental	Category Temp. Range	-30~80°C
	Vibration	50m/s <sup>2</sup> , 5~500Hz/6 min., 3axis 2 hours/each
	Shock	500m/s <sup>2</sup> , 11ms, 6 directions 3 times/each
	EMS	100V/m, 200M~1GHz
	ESD	±15kV
	IP Rating	IP67

## Model Number Designation

**WR-7UHA**

**Series No.**

**360**

**Tilt angle**

**None : 120°**

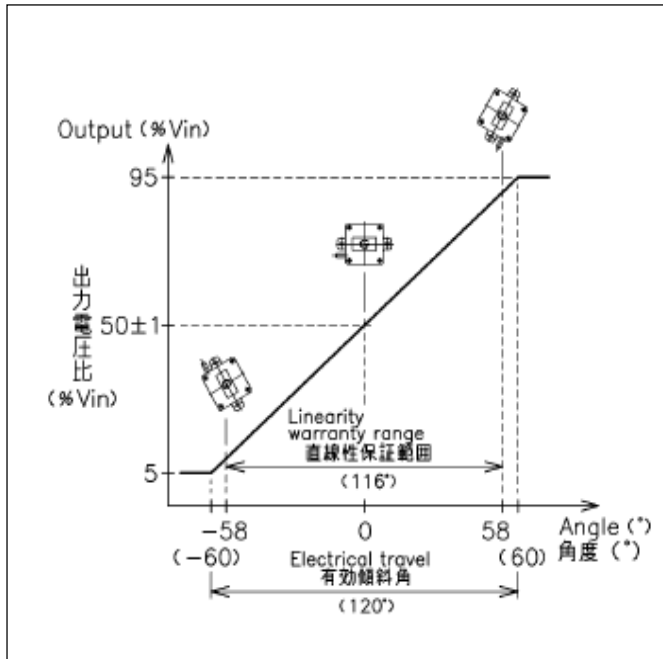
**90 : 90°**

**180 : 180°**

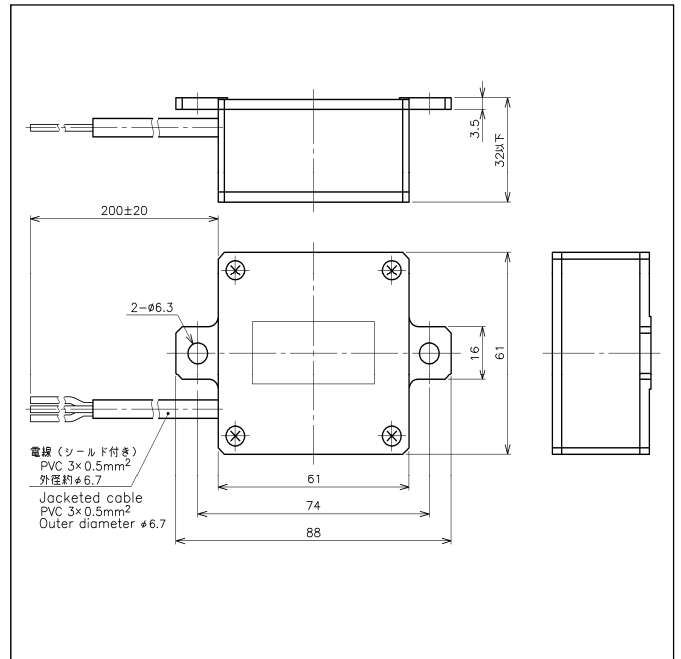
**360 : 360°** \* If you would like to order other angle, please contact us.

## Output Characteristics

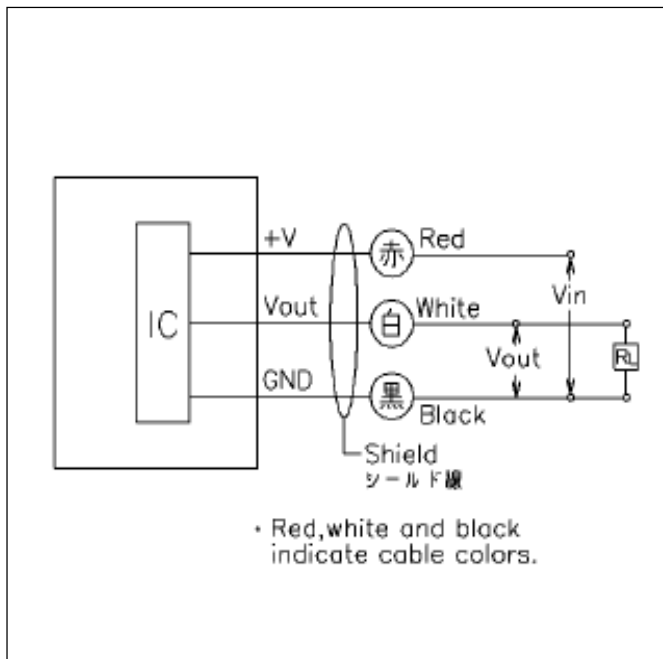
(Ex. Elect. Travel 120°)



## Dimension



## Schematic



## Mounting

