



MEA-2400-UWB-SMA

External Mount Wi-Fi/ISM/ZigBee/WLAN/Bluetooth
2.4GHz Antenna

Part #: 100-00155-01



Description

The MEA-2400-UWB-SMA is a high gain & efficiency antenna to be used for 2.4GHz wireless applications. This external mount rugged antenna is ideal for high performance Wi-Fi/ISM/ZigBee/WLAN/Bluetooth applications. It is designed for IOT, Telematics and remote metering mesh installations and systems. The high efficiency and gain along with the omni-directional properties provide this antenna a consistent and stable long range connectivity with high throughput data to devices for 2.4GHz needs. The antenna housing consist of black UV resistant rugged plastics and a heavy-duty metal base for optimal installations. The cable & connector are customizable.

Electrical Specifications

Parameter	Specification
Frequency Range	2400-2483MHz
Gain	3 dBi
V.S.W.R	≤ 2.5:1
Radiation	Omni-Directional
Polarization	Vertical
Maximum Input Power	50W
Impedance	50 Ω

Mechanical Specifications

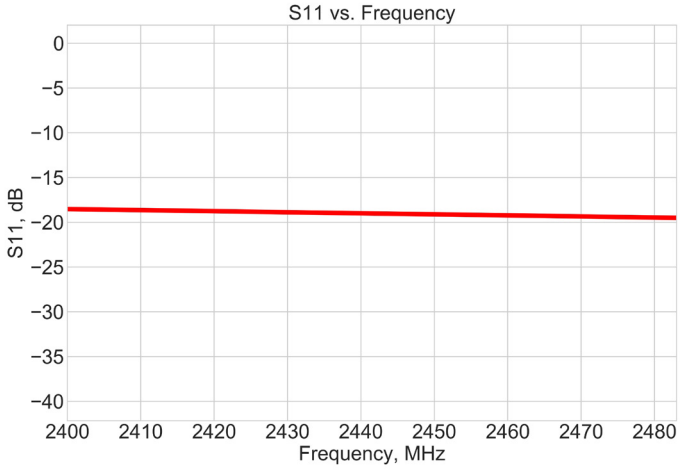
Parameter	Specification
Antenna Dimensions	Φ 48 x 82 mm
Weight	160 g
Operating Temperature	-40 °C to +70 °C
Antenna Radome Material	ABS
Connector	SMA Male
Cable Type	RG58U
Cable Length	3M
Mount Type	Screw
Antenna Color	Black
ROHS Compliant	Yes

Features

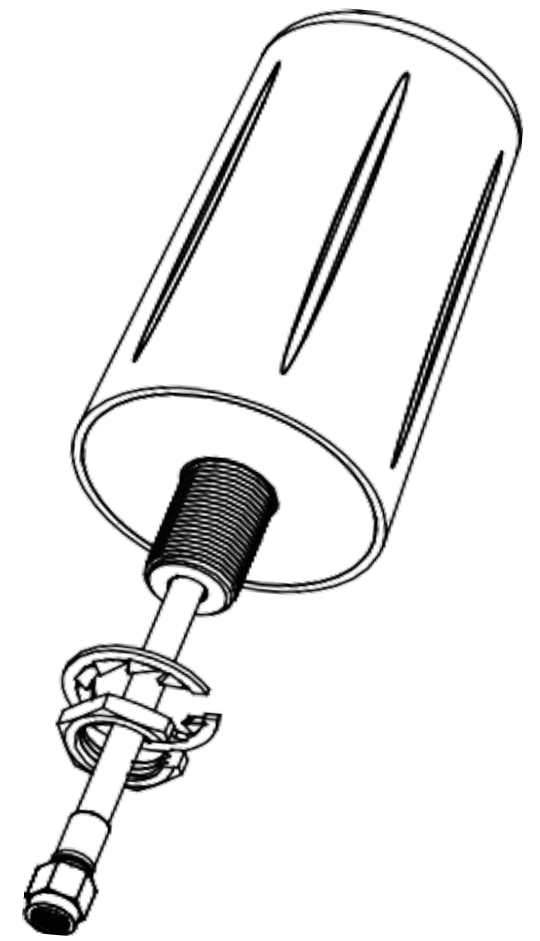
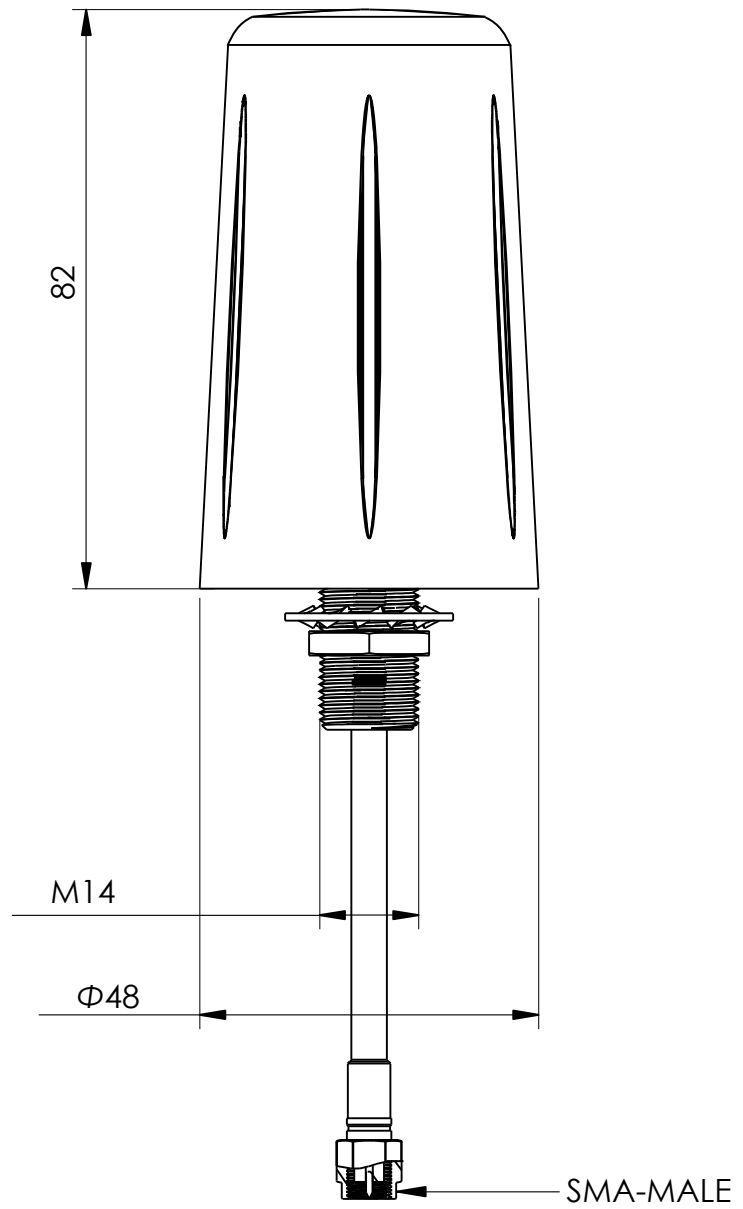
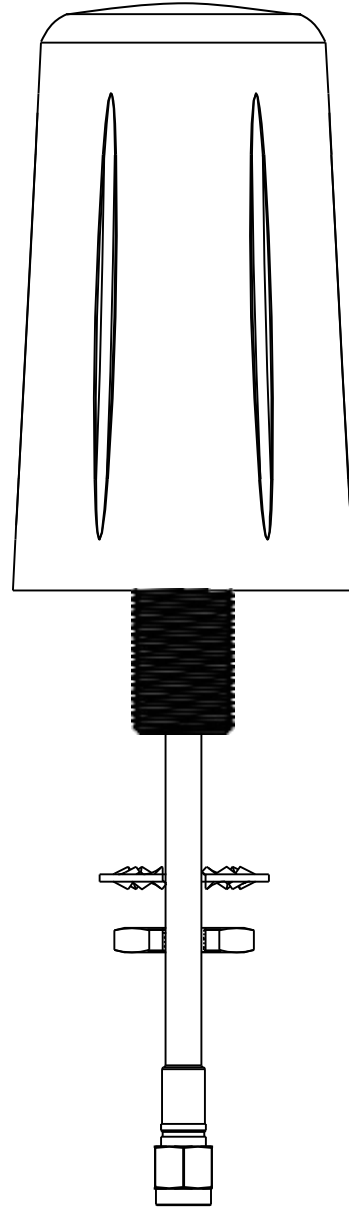
- Wi-Fi/ISM/ZigBee/WLAN/Bluetooth 2.4GHz frequencies
- IP67 rated
- High gain & efficiency
- Custom cable & connector options

Applications

- Remote mesh networks
- Smart metering
- IOT
- Telematics



DRAWING REVISION HISTORY			
REV	DESCRIPTION	DATE	BY
A	INITIAL RELEASE	2020-12-11	QZ



NOTES:

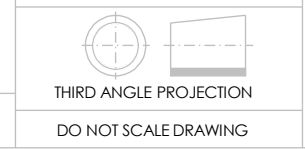
1. FREQUENCY: 2400-2483MHz
2. GAIN: 3dBi
3. V.S.W.R: ≤2.5
4. CONNECTOR: SMA-MALE
5. IMPEDANCE: 50 Ω
6. TEMPERATURE: -40 °C TO +70 °C
7. INPUT POWER: 50W
8. WEIGHT: 160g

ITEM 100-00155-01 REVISION HISTORY			
REV	DESCRIPTION	DATE	BY
A	INITIAL RELEASE	2020-12-11	QZ

PROPRIETARY AND CONFIDENTIAL

THE INFORMATION CONTAINED IN THIS DRAWING IS THE SOLE PROPERTY OF MAXTENA, INC. ANY REPRODUCTION IN PART OR AS A WHOLE WITHOUT THE WRITTEN PERMISSION OF MAXTENA, INC IS PROHIBITED.

UNLESS OTHERWISE SPECIFIED:	NAME	DATE
DIMENSIONS ARE IN MM	DRAWN	QZ 2020-12-11
TOLERANCES:	CHECKED	ZX 2020-12-11
FRACTIONAL ±	ENG APPR.	NPC 2020-12-11
ANGULAR: MACH ± 0.5° BEND ±	MFG APPR.	
INTEGER ± 2	Q.A.	
ONE PLACE DECIMAL: ± 1.0		
TWO PLACE DECIMAL: ± 0.50		
INTERPRET GEOMETRIC TOLERANCING PER:		



CAD MAINTAINED. CHANGES SHALL BE INCORPORATED BY THE DESIGN ACTIVITY.

MAXTENA, INC		
TITLE: 100-00155-01 MEA-2400-UWB-SMA		
SIZE B	DWG. NO. 117-00377-01	REV A
CAGE CODE: 5KQH7	SCALE: NONE	SHEET 1 OF 1

8 7 6 5 4 3 2 1

D
C
B
A

D
C
B
A

8 7 6 5 4 3 2 1