



# MEA-1621-SM

External Iridium Antenna Screw Mount

Part #: 189-00060-01



## Description

The MEA-1621-SM is an external rugged antenna designed for the Iridium Network. The antenna provides exceptional pattern control, polarization purity and high efficiency. It is a low profile design with an easy mounting, featuring one cable with an integrated SMA connector. It can be used to boost the performance of the Iridium hand-held satellite phones among other uses. This low profile antenna is a screw mount antenna with rugged ABS plastic housing and is ideal for the most demanding environmental challenges. The MEA-1621-SM provides outstanding performance for any Iridium SBD telematics and IOT applications.

## Electrical Specifications

Parameter	Specification
Standards	Iridium
Frequency Range	1616-1627 MHz
Band	1621 MHz
Return Loss	-12.5 dB
V.S.W.R	1.6:1
Peak Gain	4.5 dB
Average Gain	1.2 dB
Efficiency	76.6%
Polarization	RHCP
Radiation Pattern	Hemispherical

## Mechanical Specifications

Parameter	Specification
Antenna Dimensions	80 x 74 x 43 mm
Operating Temperature	-40 °C to +85 °C
Environmental	IP67 & IP69K
Connector	SMA-Male Standard (Other Connectors Available)
Antenna Color	Black
Radome Type	ABS UV Stable
Radome Color	Black
Cable Length	200 cm Standard (Any Cable Length Available)
Cable Type	LL195 Standard (Other Cables Available)
Substance Compliance	RoHS
Mounting Type	Screw Mount

\*Antenna Measurement Conditions:  
Mounted on metal plate of 70x70cm

## Features

- Frequency coverage: 1616-1627 MHz
- Easy mounting: Screw Mount
- Optimized for Iridium network
- High Performance
- Ground Plane Independent
- Anti-Rotation Mechanism
- Customizable Cable and Connector
- Small size: Dimensions 80 × 74 × 25.6 mm
- ROHS Certified
- Rugged housing
- IP67
- IP69

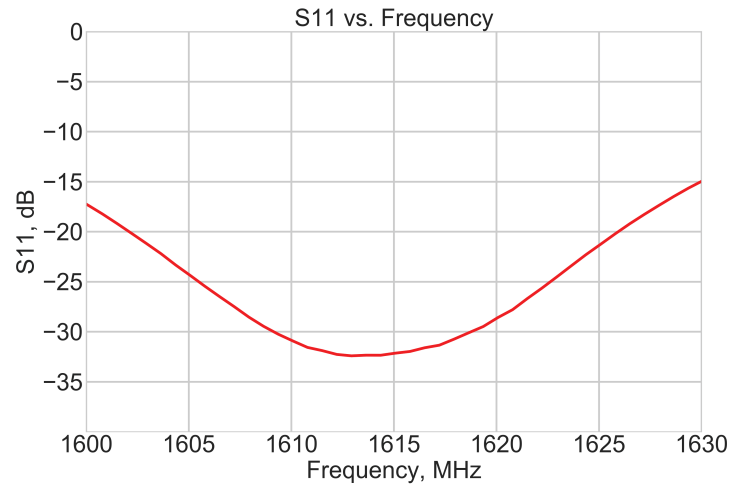
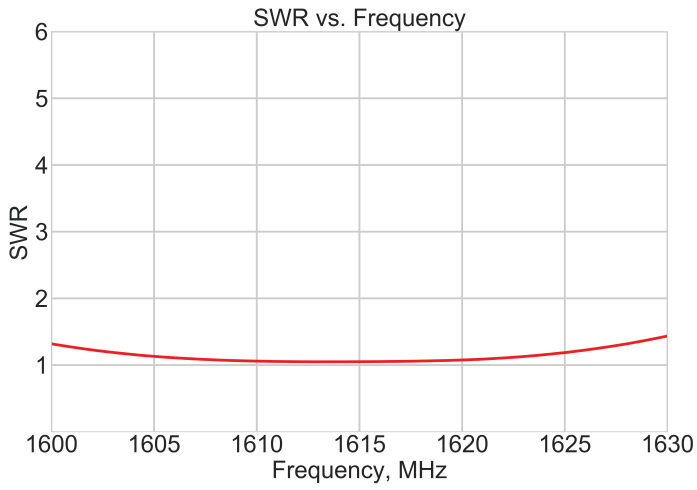
## Applications

- Vehicle and fleet tracking
- Satellite communications
- Military & security
- Asset tracking
- Emergency communication
- Iridium (SBD) Short Burst Data
- Oil & gas industries
- Mining equipment
- Environmental Monitoring
- LBS & M2M applications



Maxtena Inc.  
7361 Calhoun Place, Suite 102  
Rockville, MD 20855  
1-877-629-8362  
info@maxtena.com

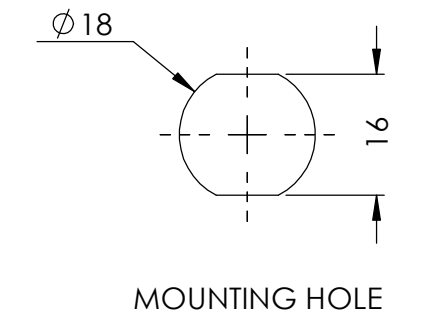
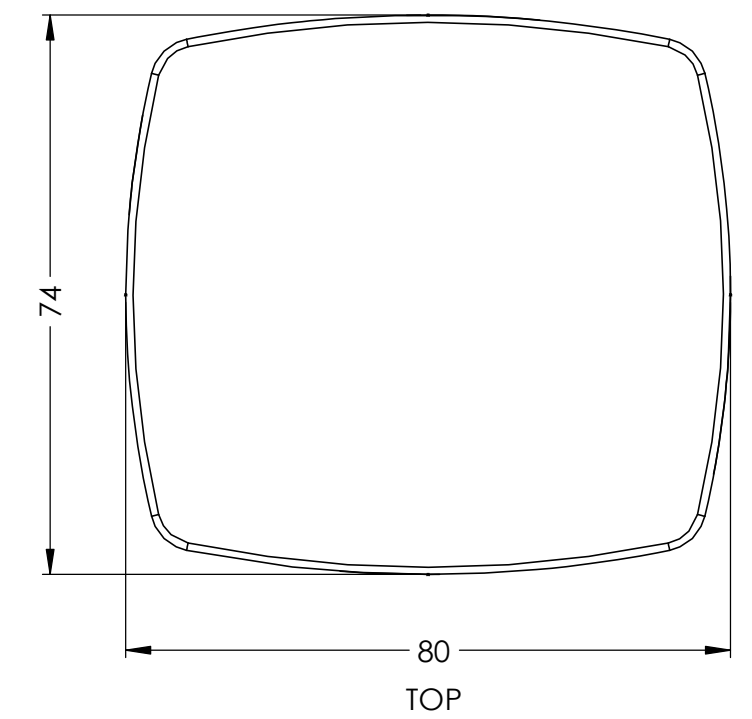
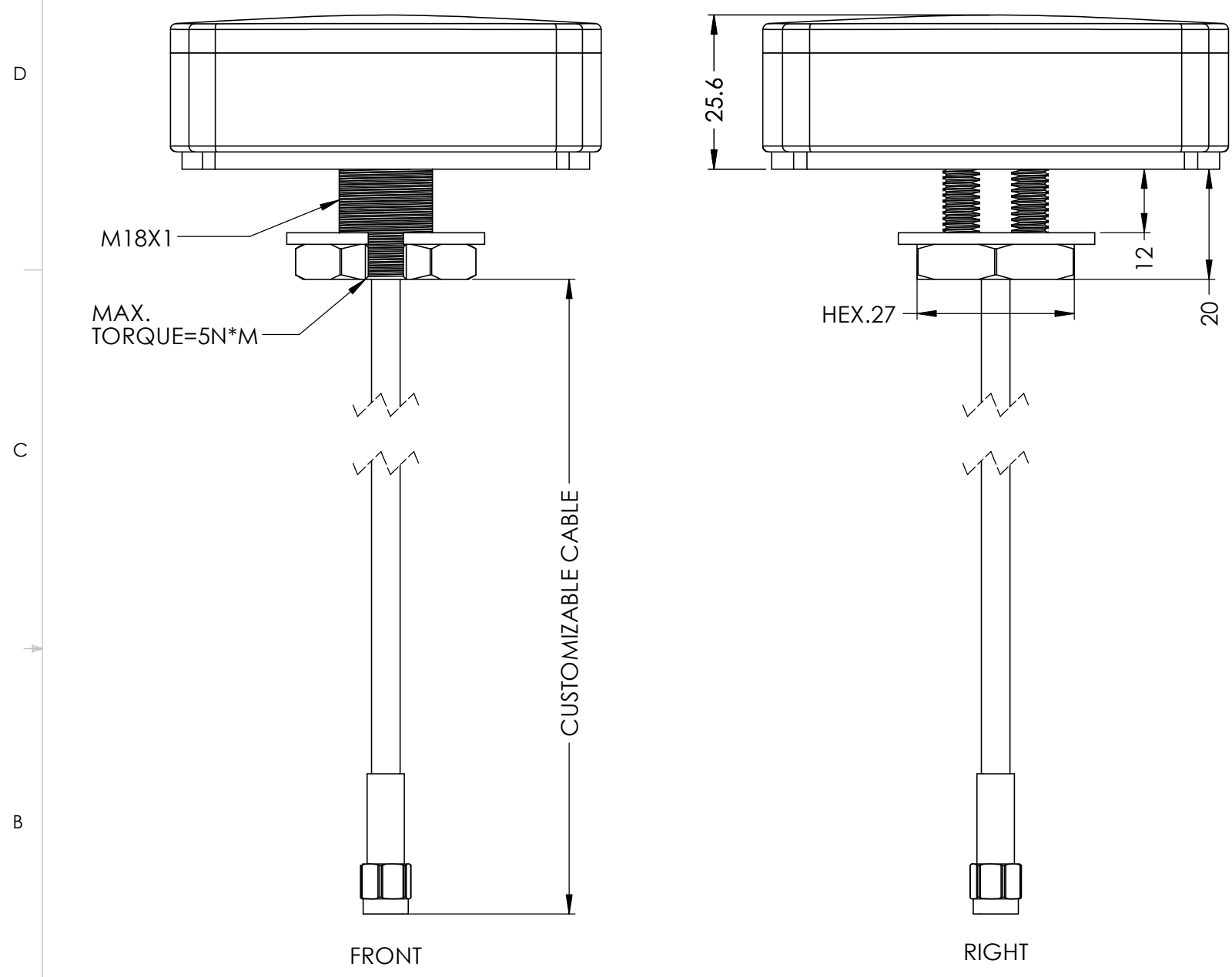
[www.maxtena.com](http://www.maxtena.com)



Maxtena Inc.  
7361 Calhoun Place, Suite 102  
Rockville, MD 20855  
1-877-629-8362  
info@maxtena.com

[www.maxtena.com](http://www.maxtena.com)

DRAWING REVISION HISTORY			
REV	DESCRIPTION	DATE	BY
A	INITIAL RELEASE	2021-03-19	QZ



- NOTES:
1. FREQUENCY (IRIDIUM): 1616 ~ 1627 MHz
  2. RETURN LOSS: ~ -12.5 dB
  3. VSWR: ~1.6 : 1
  4. PEAK GAIN: ~4.5 dBic
  5. RADIATION PATTERN: HEMISPHERICAL
  6. POLARIZATION: RHCP
  7. DIMENSIONS ARE AFTER MOUNTING
  8. RADOME TYPE: ABS UV STABLE
  9. RADOME COLOR: BLACK, WHITE
  10. MAX. MOUNTING THICKNESS: 12MM
  11. CONNECTOR: SMA-MALE STANDARD (OTHER CONNECTORS AVAILABLE)
  12. CABLE TYPE: LL195 STANDARD (OTHER CABLES AVAILABLE)
  13. CABLE LENGTH: 300 CM STANDARD (ANY CABLE LENGTH AVAILABLE)
  14. CERTIFICATES: IP67, IP69
  15. OPERATING TEMPERTATURE: -40 °C ~ 85 °C
  16. STORAGE TEMPERTATURE: -40 °C ~ 85 °C

ITEM 189-00060 REVISION HISTORY			
REV	DESCRIPTION	DATE	BY
A	INITIAL RELEASE	2021-03-19	QZ

189-00060 CONFIGURATION TABLE			
DASH NO	RADOME COLOR	CABLE & LENGTH	CONNECTOR TYPE
-01	BLACK	D302, 2M	SMA MALE

UNLESS OTHERWISE SPECIFIED:

DIMENSIONS ARE IN MM  
TOLERANCES:  
FRACTIONAL ±  
ANGULAR: MACH ± .5° BEND ±  
INTEGER ± 2  
ONE PLACE DECIMAL ± 1.0  
TWO PLACE DECIMAL ± .50  
INTERPRET GEOMETRIC TOLERANCING PER:

THIRD ANGLE PROJECTION  
DO NOT SCALE DRAWING

	NAME	DATE
DRAWN	QZ	2021-03-19
CHECKED	ZX	2021-03-22
ENG APPR.	NPC	2021-04-23
MFG APPR.		
Q.A.		

CAD MAINTAINED. CHANGES SHALL BE INCORPORATED BY THE DESIGN ACTIVITY.

MAXTENA, INC

TITLE: 189-00060 MEA-1621-SM

SIZE B DWG. NO. 117-00427-01 REV A

CAGE CODE: 5KQH7 SCALE: NONE SHEET 1 OF 1

PROPRIETARY AND CONFIDENTIAL  
THE INFORMATION CONTAINED IN THIS DRAWING IS THE SOLE PROPERTY OF MAXTENA, INC. ANY REPRODUCTION IN PART OR AS A WHOLE WITHOUT THE WRITTEN PERMISSION OF MAXTENA, INC IS PROHIBITED.