



MPA-258-L1-L5

GPS L1 L5 MICROSTRIP ANTENNA

Part #: 189-00057-01

Description

The MPA-258-L1-L5 is a high gain antenna customized for GPS L1 L5 frequencies. The MPA-258-L1-L5 is a multiband high-performance antenna for high precision GPS and L1 L5 accuracy and positioning. MPA-258-L1-L5 designed for embedded applications which feature GPS L1+L5 such as asset tracking and IOT solutions. The MPA-258-L1-L5 utilizes a special advanced wide-band dual-stacked ceramic patch antenna which leads to higher upper hemisphere efficiency and a lower axial ratio as compared to regular patch antennas. This allows the antenna to be superior and a top choice for demanding GPS L1+L5 multiband/multifrequency antenna requirements.



Electrical Specifications

Parameter	Specification	
Range Of Receiving Frequency	1575.42 ± 1.023 MHz	1176.45 ± 12 MHz
Center Frequency	1575 ± 3 MHz	1175 ± 3 MHz
Bandwidth	≥ 22 MHz	≥ 3 MHz
Gain at Zenith	1.8 dB i typ.	0.5 dB i typ.
Return Loss	-10 dB	
VSWR	≤ 1.8	
Polarization	RHCP	
Impedance	50 Ω	

Features

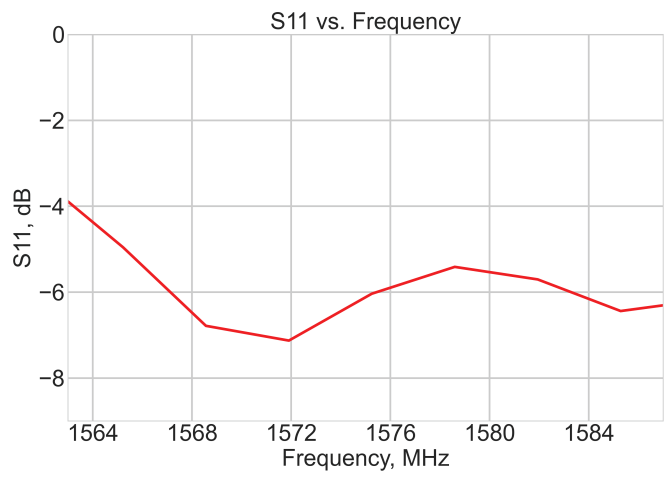
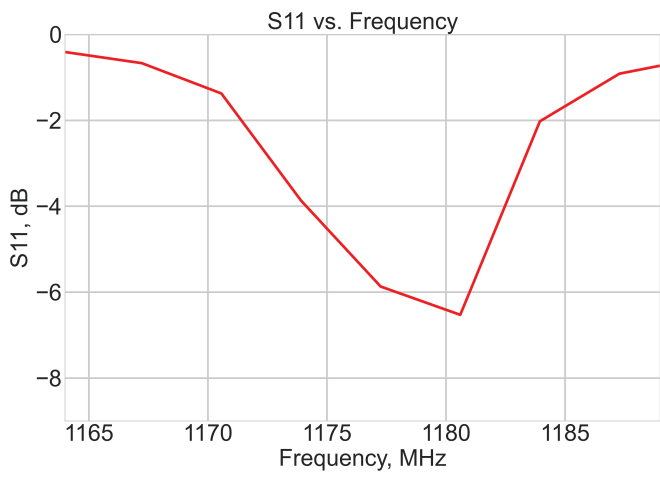
- GPS L1 L5 frequency
- Dual stacked patch
- Thru-Hole Mount
- Compact size
- Ceramic Material
- Advanced Ceramic Materials
- High Performance
- Dimensions 25 x 25 x 8 mm

Mechanical Specification

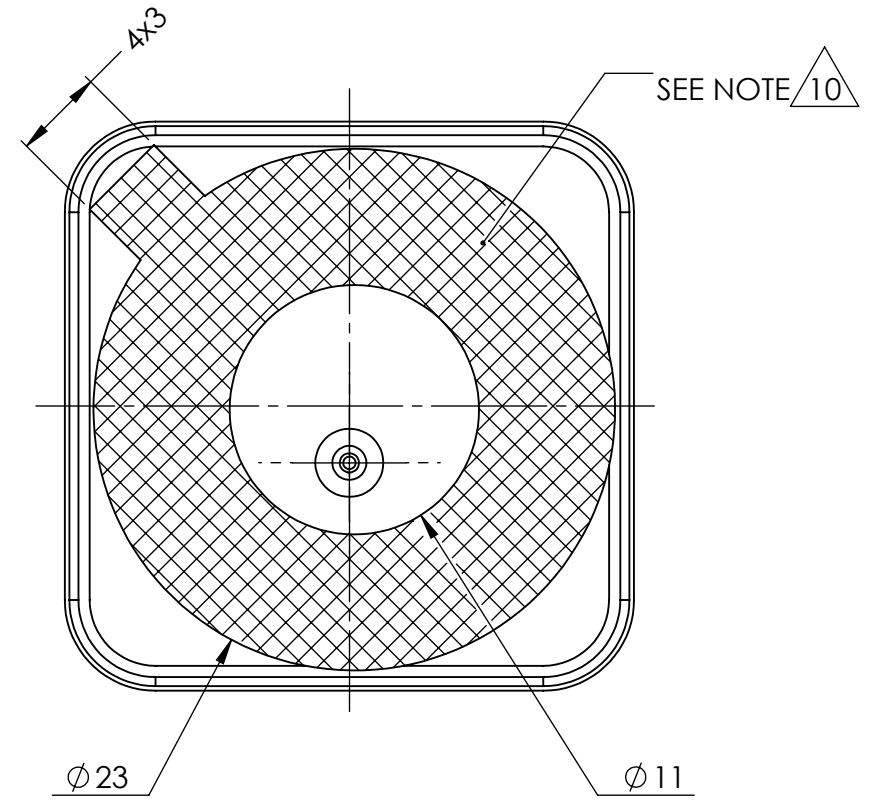
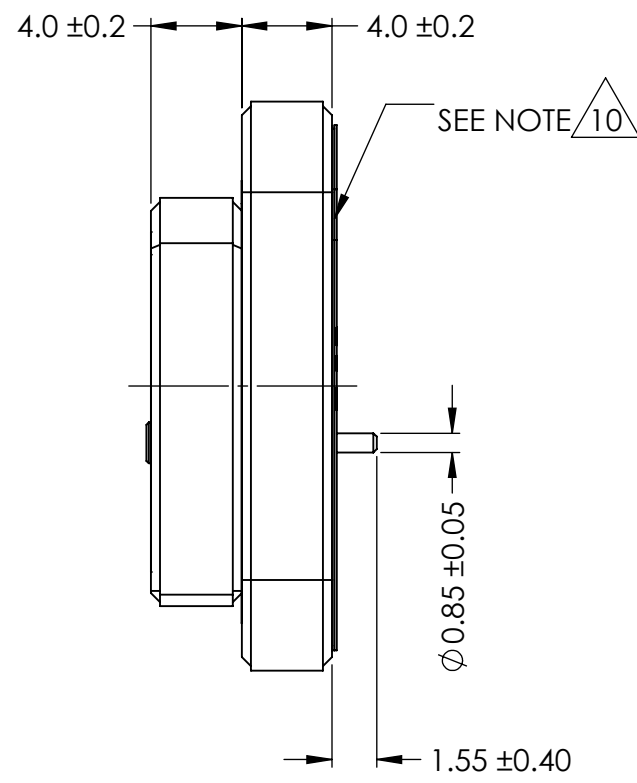
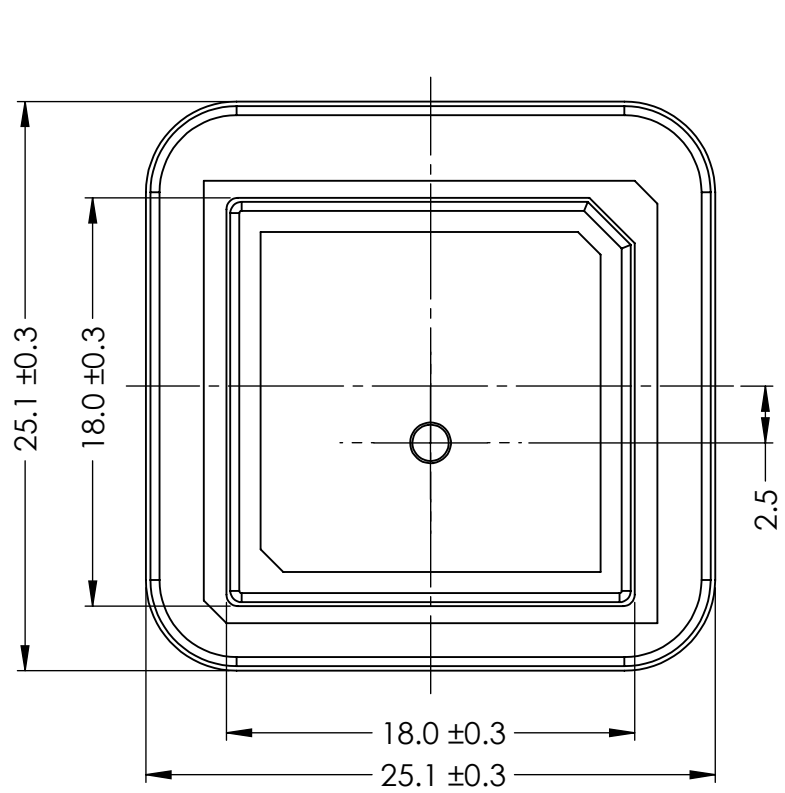
Parameter	Specification
Antenna Dimensions	25 x 25 x 8 mm
Operating Temperature	-40°C to 105°C

Applications

- IoT applications
- RTK
- Agriculture
- Navigation
- Security
- Autonomous Vehicles
- Transportation



DRAWING REVISION HISTORY			
REV	DESCRIPTION	DATE	BY
A	INITIAL RELEASE	2021-03-03	QZ



NOTES:

- CENTER FREQUENCY:
L1: 1575MHz +- 3MHz; L2:1227MHz +- 3MHz (WITH 75X75MM GND PLANE)
- BANDWIDTH:
L1: 20MHz MIN; L2: 8MHz MIN(RETURN LOSS@-6dB)
- VSWR: 1.8MAX(CENTER FREQUENCY)
- GAIN AT ZENITH:
L1: 1.8 dBi TYP. L5: 0.5dBi TYP.
- POLARIZATION: RHCP
- IMPEDANCE: 50OHM
- OPERATING TEMPERATURE: -40°C TO +105°C
- STORAGE TEMPERATURE: -40°C TO +105°C
- DOUBLE-SIDE ADHESIVE ON THIS SURFACE FOR INDUSTRIAL USE

ITEM 189-00057-01 REVISION HISTORY			
REV	DESCRIPTION	DATE	BY
A	INITIAL RELEASE	2021-03-03	QZ

PROPRIETARY AND CONFIDENTIAL

THE INFORMATION CONTAINED IN THIS DRAWING IS THE SOLE PROPERTY OF MAXTENA, INC. ANY REPRODUCTION IN PART OR AS A WHOLE WITHOUT THE WRITTEN PERMISSION OF MAXTENA, INC IS PROHIBITED.

UNLESS OTHERWISE SPECIFIED:	NAME	DATE
DIMENSIONS ARE IN MM	DRAWN	QZ 2021-03-03
TOLERANCES:	CHECKED	PL 2021-05-21
FRACTIONAL ±	ENG APPR.	NPC 2021-05-27
ANGULAR: MACH ± .5° BEND ±	MFG APPR.	
INTEGER ± 2	Q.A.	
ONE PLACE DECIMAL ± 1.0		
TWO PLACE DECIMAL ± .50		
INTERPRET GEOMETRIC TOLERANCING PER:		
	CAD MAINTAINED. CHANGES SHALL BE INCORPORATED BY THE DESIGN ACTIVITY.	
DO NOT SCALE DRAWING		

MAXTENA, INC		
TITLE: 189-00057-01		
MPA-258-L1-L5		
SIZE	DWG. NO.	REV
B	117-00406-01	A
CAGE CODE: 5KQH7	SCALE: NONE	SHEET 1 OF 1